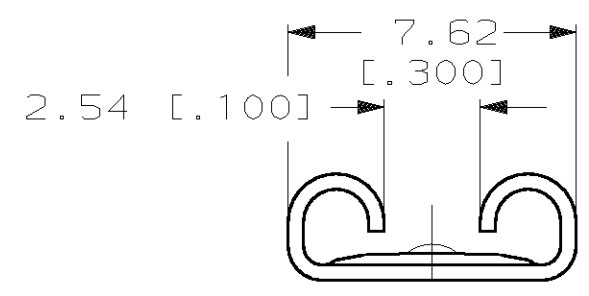
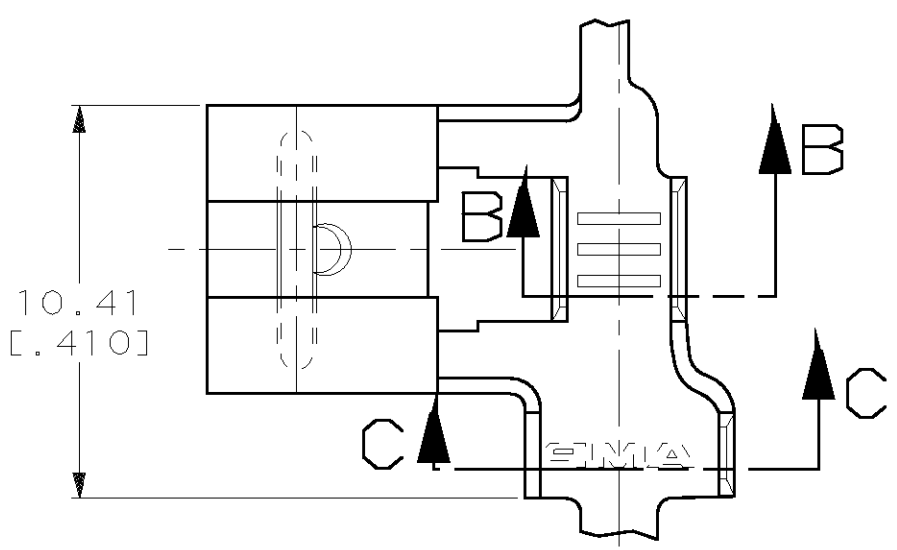


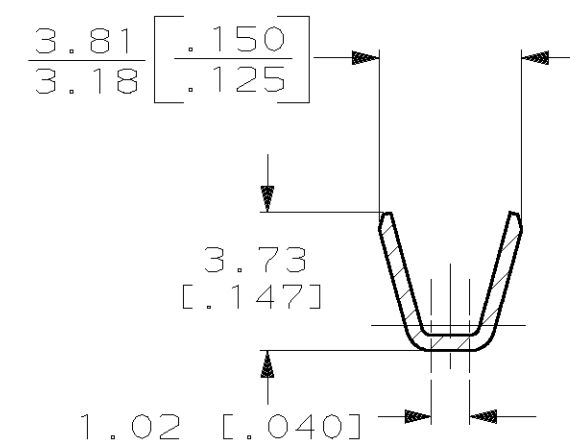
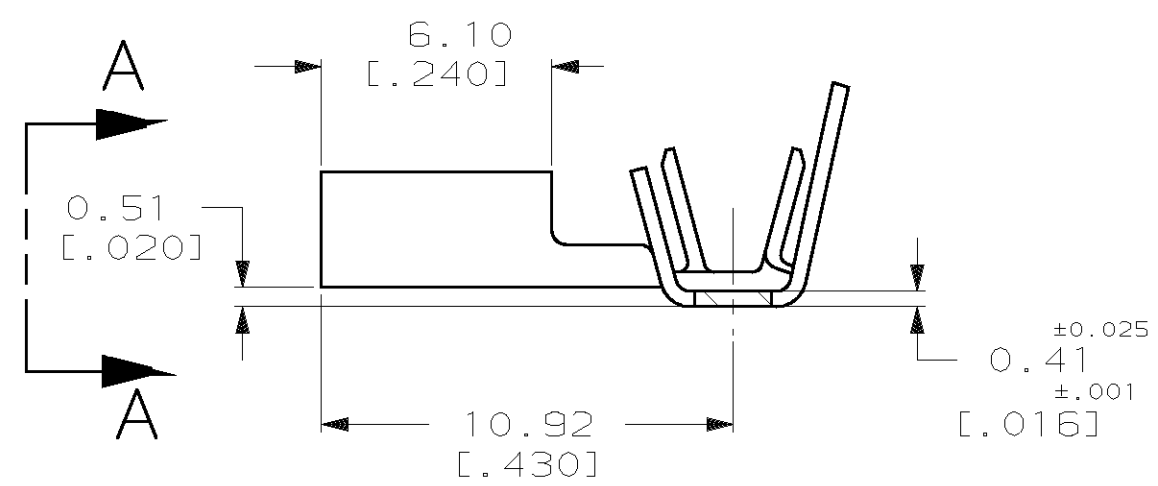
THIS DRAWING IS UNPUBLISHED. RELEASED FOR PUBLICATION, 19  
 © COPYRIGHT 19 BY AMP INCORPORATED. ALL INTERNATIONAL RIGHTS RESERVED.

LOC	DIST	P	F	ZONE	LTR	DESCRIPTION	DATE	APPD
AF	50				F	ADDED -3 PER OG3A-0447-00	06JUL00	JR/PD

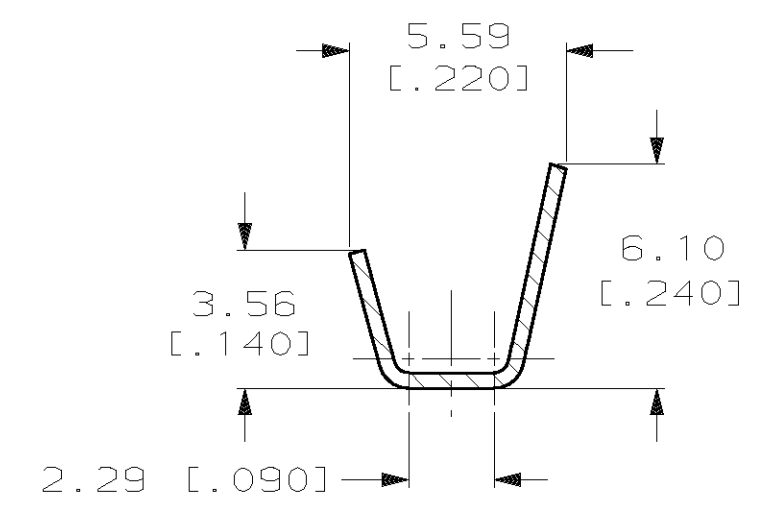
- 1 CONTINUOUS STRIP ON REELS.
- 2 MATING TAB THK IS 0.81±0.025  
[.032±.001]
- 3 WIRE SIZE IS [#18-#14] AWG.
- 4 INSULATION RANGE IS 2.79-4.06  
[.110-.160] DIA.
- 5 0.00381 [.000150] MIN TIN OVER  
0.00254 [.000100] MIN COPPER.
- 6 PRELIMINARY - NOT FOR PRODUCTION



VIEW A-A



SECTION B-B



SECTION C-C

FINISH	PART NO
TIN OVER COPPER 5	63009-3
0.002032 [.000080] MIN TIN	63009-2
-	63009-1

DO NOT SCALE PRINT. UNLESS SPECIFIED DIMENSIONS IN mm [INCHES] TOLERANCES ON: 2 PLC DEC ± - 3 PLC DEC ± 0.38 [.015] ANGLES ± -	DR 4/9/91 JR RUTH	AMP Incorporated Harrisburg, PA 17105-3608
	CHK 4/9/91 MS FEHER	
	APPD 4/9/91 C MEYERS	
	APPD 4/9/91 R KUZO	
MATERIAL 4M BRASS	PRODUCT SPEC -	NAME RECEPTACLE, FASTON, FLAG, 6.35 [.250] SERIES
FINISH SEE TABLE	APPLICATION SPEC -	SIZE B
	WEIGHT -	CAGE CODE 00779
		DRAWING NO 63009
		SCALE 5:1
		SHEET 1 OF 1